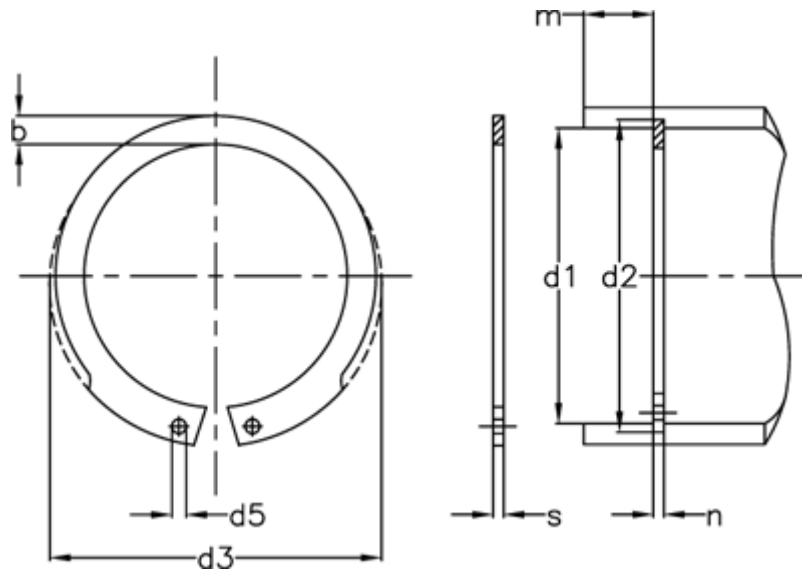


Article number: 0106075

Description: Retaining ring JV 58

Measures



| | | | | | |
|--------------------|---------|---------------|---------|----------------|--------------|
| AN mm ² | = 140 | FRg kN | = 12.9 | tol | = 0.2 |
| b | = 5.2 | FR kN | = 64.0 | tol | = -0.07 |
| d1 | = 58 | g | = 2.0 | tol | = +1,10-0,46 |
| d2 | = 61.0 | K kN-mm | = 113.0 | tol | = +0,30 |
| d3 | = 62.2 | m min | = 2.15 | Tong | = ZGJ-3 |
| d5 min | = 2.5 | Nominal drive | = 4.5 | Weight kg/1000 | = 10.50 |
| Description | = JV 58 | s | = 2.00 | | |
| FN kN | = 23.30 | t | = 1.50 | | |